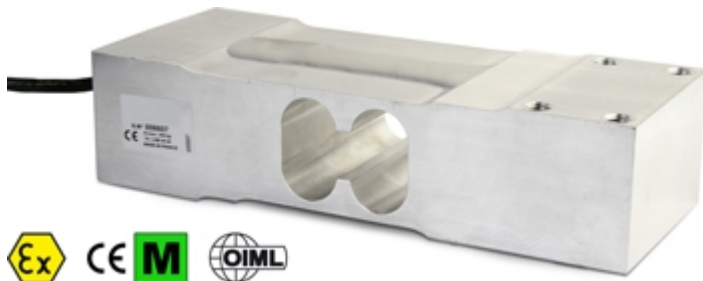


SPBC

SPBC SERIES SINGLE POINT LOAD CELLS



Load cells for off center loads, suitable for example to build CE-M approved scales with a single load cell with maximum dimensions of 700x700 mm.

CAPACITIES (kg): 100, 200, 300, 500, 630.

OIML R60. C3 precision class.

Aluminium alloy. **IP65** protection.

The best solution
for advanced industrial
applications

MAIN FEATURES

- C3 PRECISION CLASS
- OFF CENTER LOAD COMPENSATED
- MADE IN ALUMINIUM ALLOY
- IP65 PROTECTION
- MAX. CAPACITIES FROM 100 TO 630kg
- FOR PLATFORMS WITH DIMENSIONS UP TO 700 X 700 mm
- SHIELDED CONNECTION CABLE
- OIML CERTIFICATE AVAILABLE UPON REQUEST
- TEST CERTIFICATE AVAILABLE UPON REQUEST

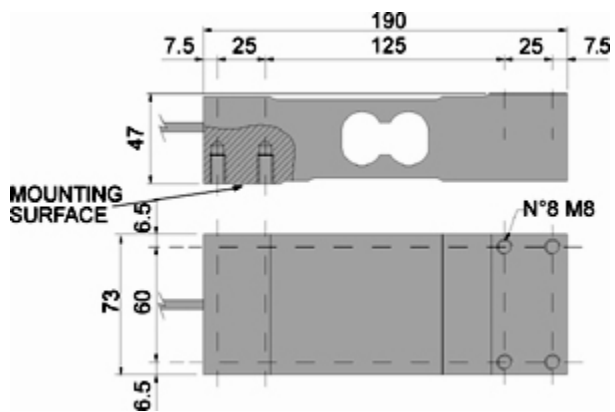
TECHNICAL FEATURES

- Minimum load cell verification interval: $V_{min} = E_{Max} / 10.000$
- Maximum number of verification intervals: $n_{LC} = 3000$
- Full Scale Output: 2mV/V +/- 10%
- Combined error: 0,017% of Full Scale Output (F.S.)
- Temperature effect on zero: 0,0028% /°C
- Temperature effect on full scale output: 0,0014% /°C
- Compensated Temperature Range: -10°C/+40°C
- Operating Temperature Range: -20°C/+60°C
- Creep error after 30 minutes: 0,025% F.S.
- Maximum tolerated excitation voltage: 15 VDC
- Input Resistance: 410 ± 10 Ohm
- Output Resistance: 350 ± 5 Ohm
- Zero Balance: +/-10% F.S.
- Insulation Resistance: >1000 MOhm
- Safe Overload: 150% F.S.
- Ultimate Overload: 200% F.S.
- Nominal displacement: < 1mm
- SPBC 6-wire shielded cable, 3m long, 5mm diameter

ATEX Version

- The CCATEX certificate makes the load cell suitable for use in hazardous areas with protection methods according to:
ATEX II 1G Ex ia IIC T6 (Ta -20÷+40°C) TX (Ta -20÷+65°C) Ga
ATEX II 1D Ex ta IIIC TX°C (Ta -20÷+40°C) TX°C (Ta -20÷+65°C) Da IP65.
The certificate includes the manual and the ATEX CE conformity declaration (available in EN, DE, FR, and IT).
- **IMPORTANT:** the certificate refers to the single load cell. For systems with more load cells, it is necessary to order one certificate for each load cell.

DETAIL 1






Dimensions (mm)

SPBC Wiring Code	
<i>Colour</i>	<i>Function</i>
--	SHIELD
YELLOW	OUTPUT +
GREY	SENSE +
BROWN	INPUT +
WHITE	OUTPUT -
GREEN	INPUT -
PINK	SENSE -

VERSIONS

Available versions

Codice	Piatto Max (mm)	Max (kg)
SPBC100 	700x700	100
SPBC200 	700x700	200
SPBC300 	700x700	300
SPBC500 	700x700	500
SPBC630 	700x700	630



“YOUR WORLDWIDE PARTNER FOR WEIGHING,”

**DINI ARGEO
FRANCE sarl**
France

**DINI ARGEO
GMBH**
Germany

**DINI ARGEO
UK Ltd**
United Kingdom

**DINI ARGEO WEIGHING
INSTRUMENTS Ltd**
China

**DINI ARGEO
OCEANIA**
Australia



COMPANY HEADQUARTERS

Via Della Fisica, 20
41042 Spezzano di Fiorano Modena • Italy
Tel. +39.0536 843418

SERVICE ASSISTANCE

Via Dell'Elettronica, 15
41042 Spezzano di Fiorano Modena • Italy
Tel. +39.0536 921784

SALES AND TECHNICAL ASSISTANCE SERVICE